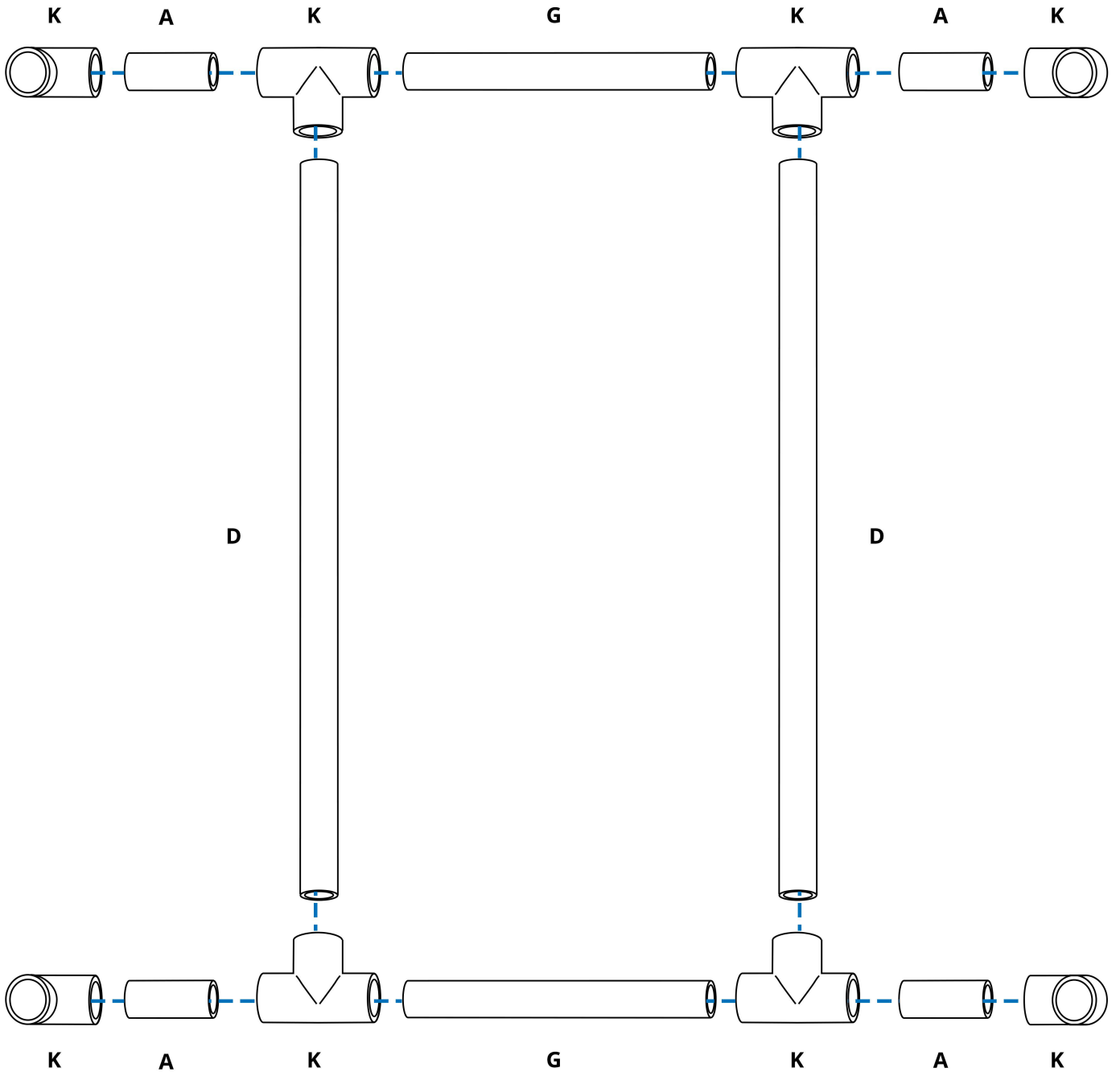


**A-** 3/4" PVC, length = 52 1/8"  
**B-** 3/4" PVC, length = 10 1/2"  
**C-** 1" PVC, length = 34"  
**D-** 1" PVC, length = 26"  
**E-** 1" PVC, length = 22 1/4"  
**F-** 1" PVC, length = 20 3/4"  
**G-** 1" PVC, length = 10 3/4"  
**H-** 1" PVC, length = 10 1/8"

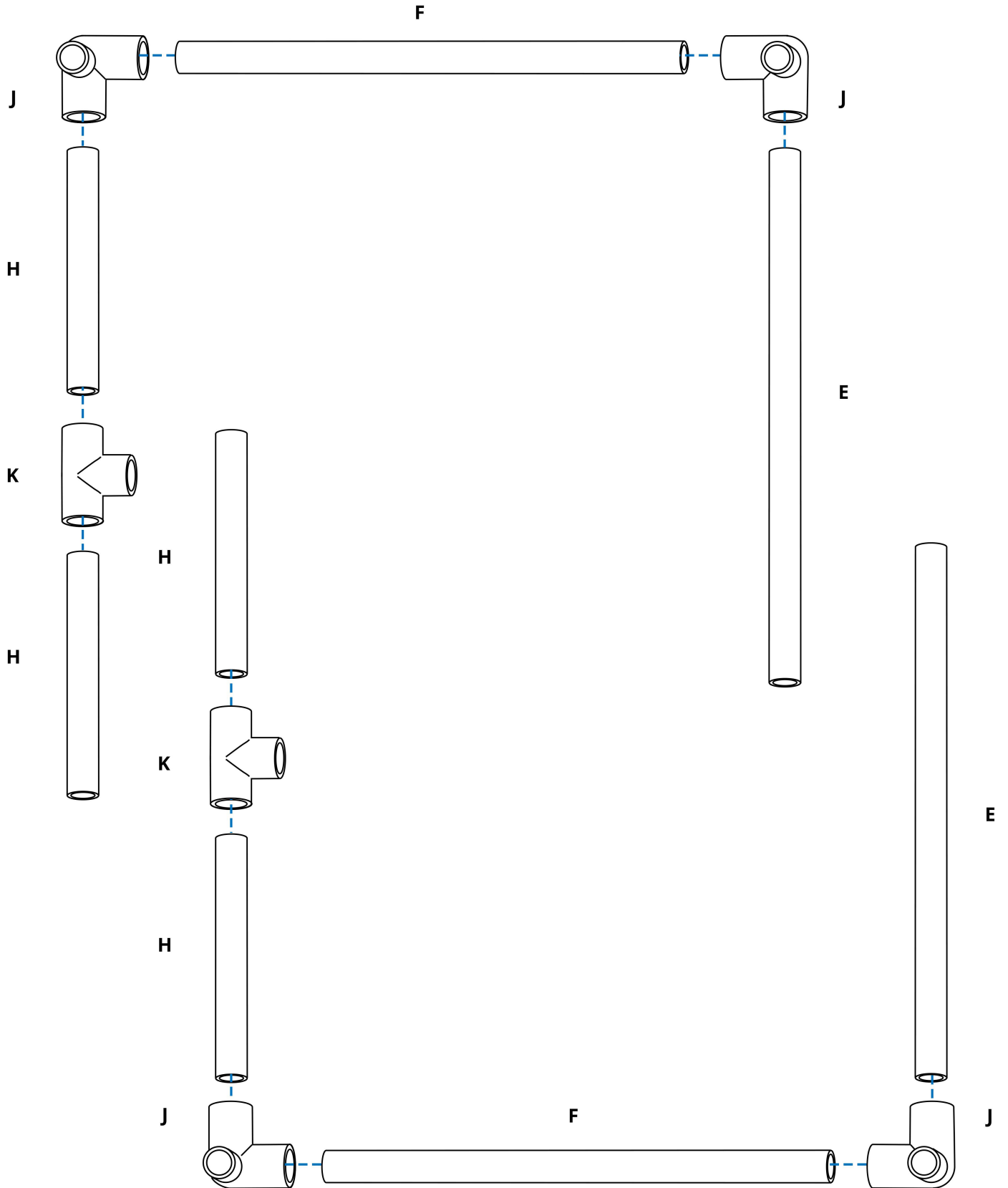
**I-** 1" PVC, length = 3"  
**J-** 1" 90 degree elbow with 1/2" side outlet and attached 3/4" pipe adapter  
**K-** 1" PVC tee socket  
**L-** 3/4" PVC tee socket  
**M-** #10-24 x 1" machine screw  
**N-** #8 x 1/2" sheet metal screw  
**O-** #10-24 wing nut

**P-** 4" T hinge  
**Q-** 2" zinc-plated corner brace  
**R-** 24" x 48" pegboard, coated on one side  
**S-** 1/8" thick 24" x 24" clear plexiglass sheet  
**T-** 7" D. cut woven silver conductive fabric from RobotShop- RB-Ada-122

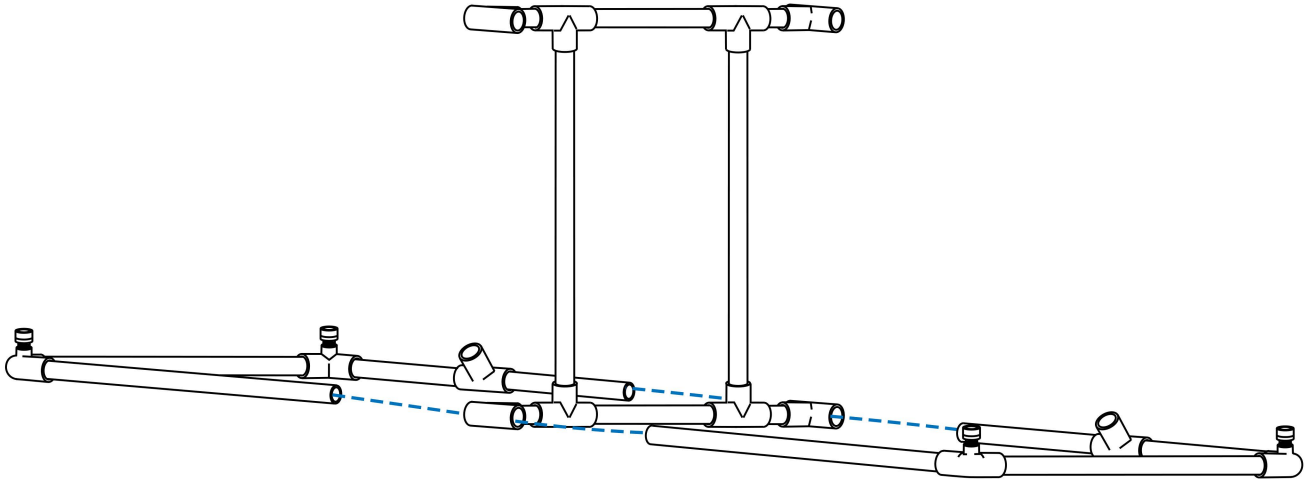
1.



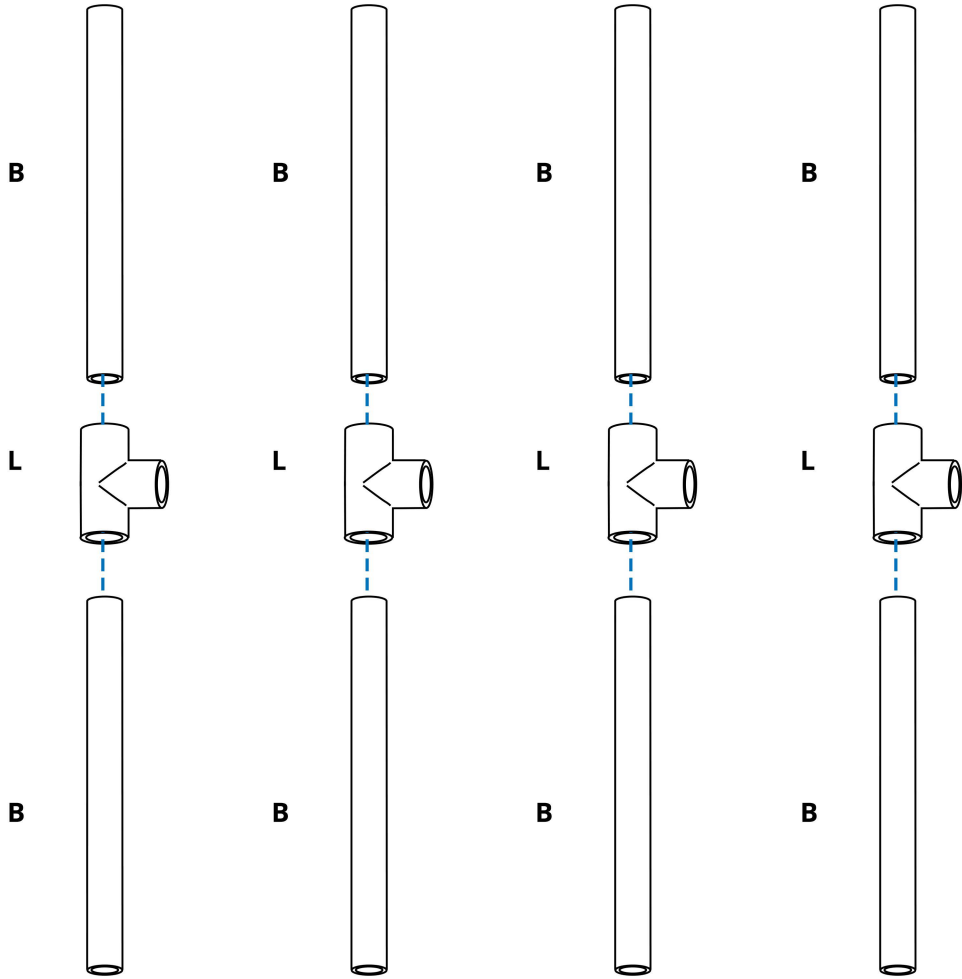
2.



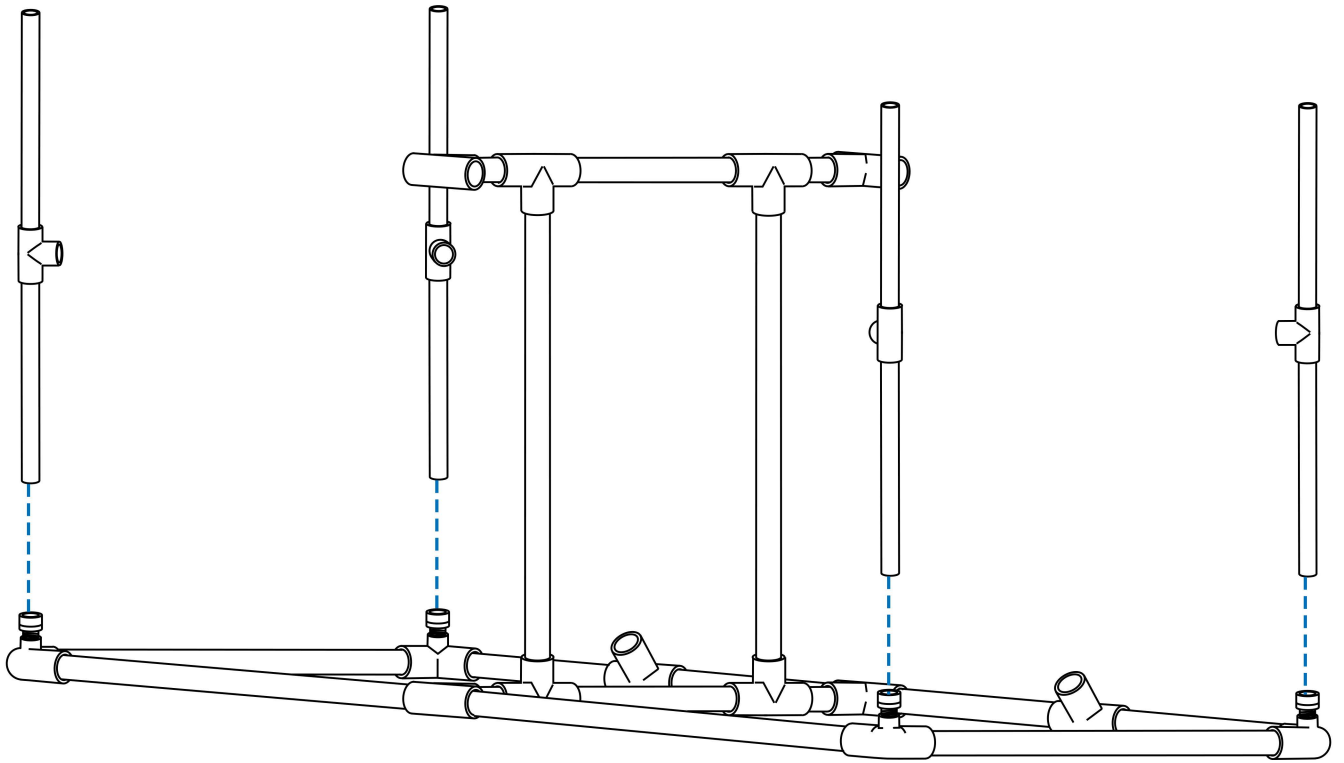
3.



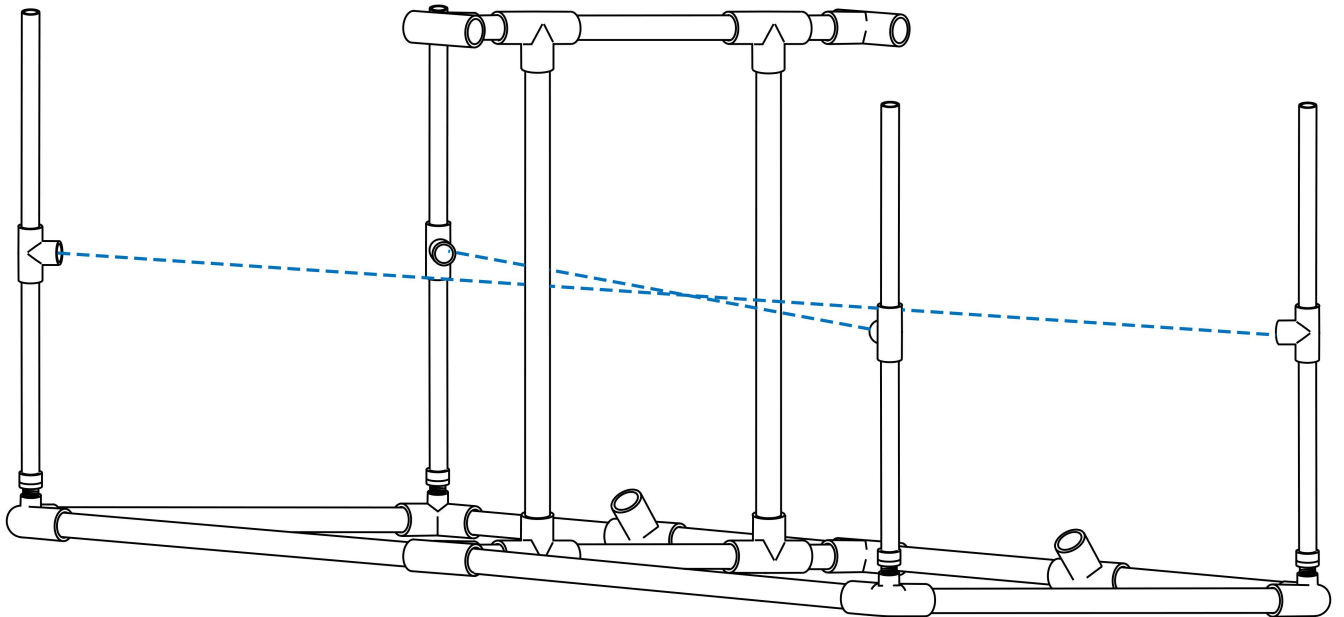
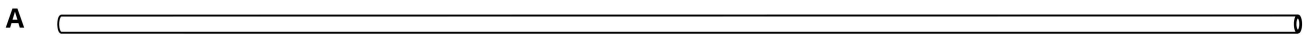
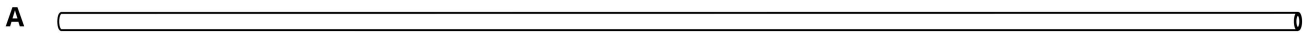
4.



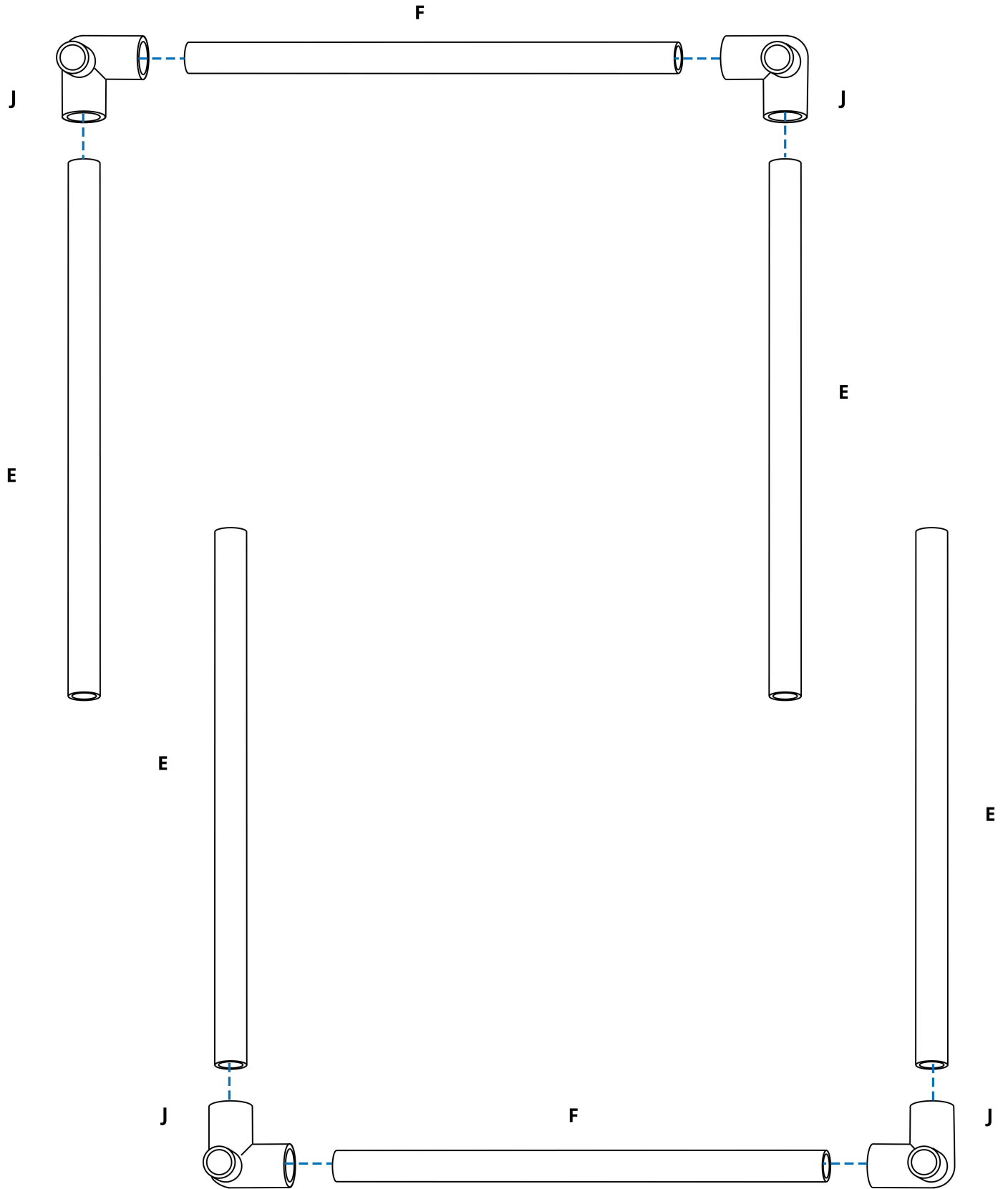
5.



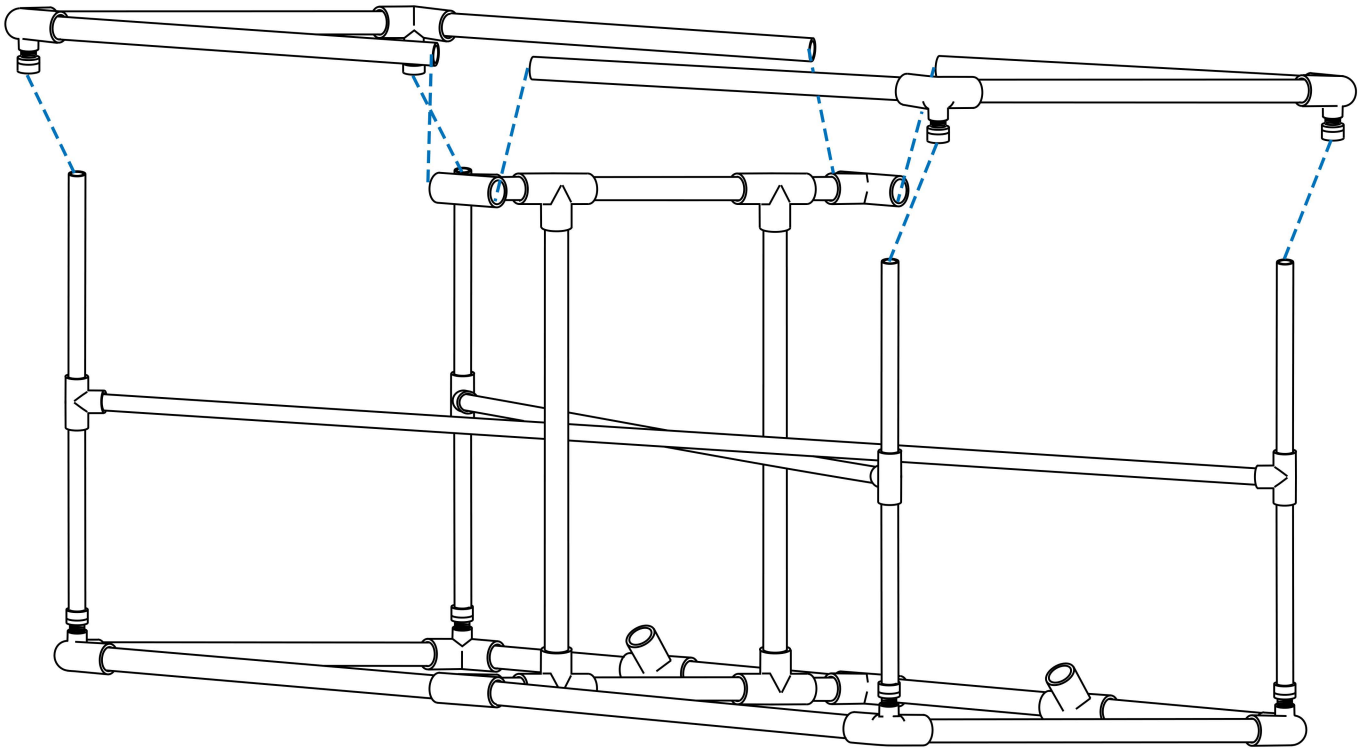
6.



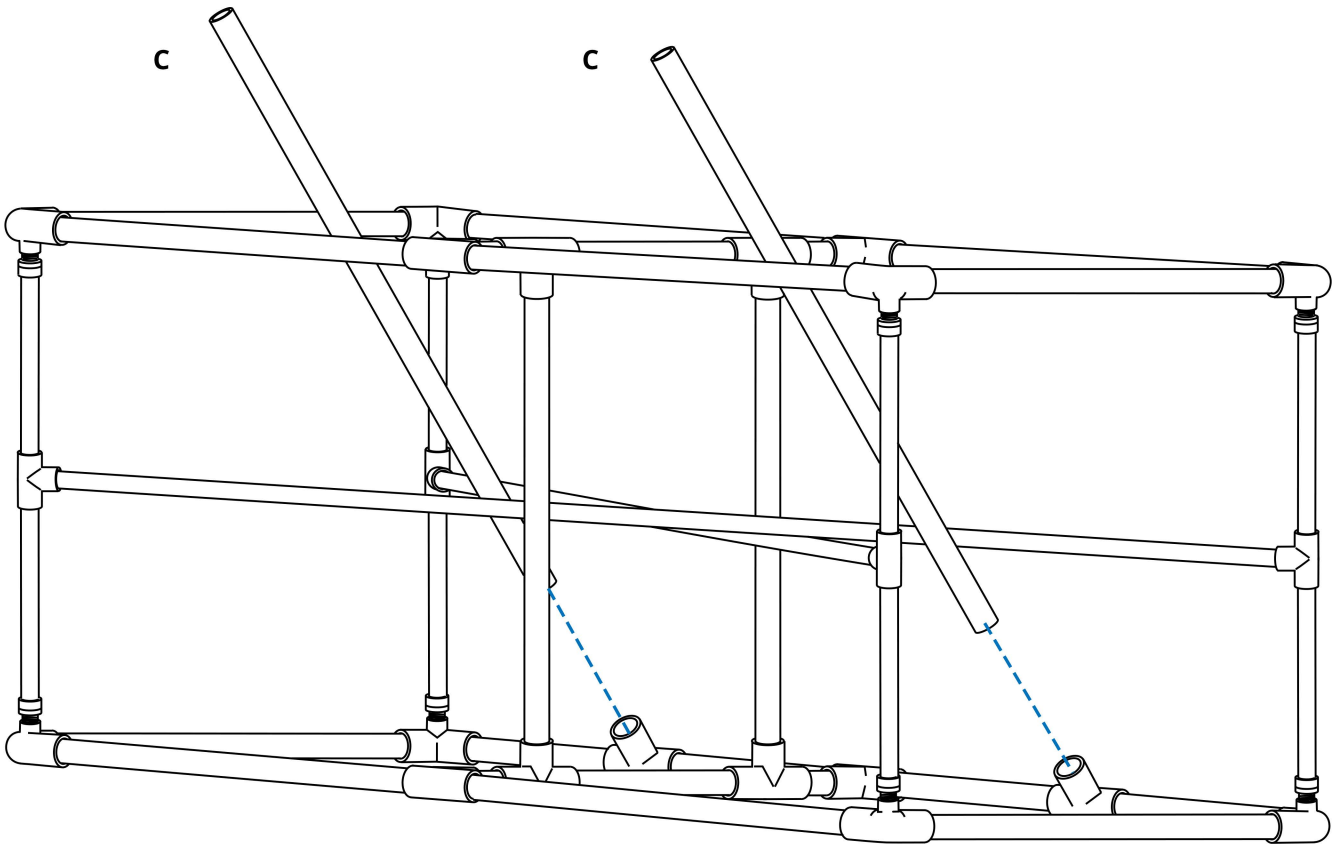
7.



8.

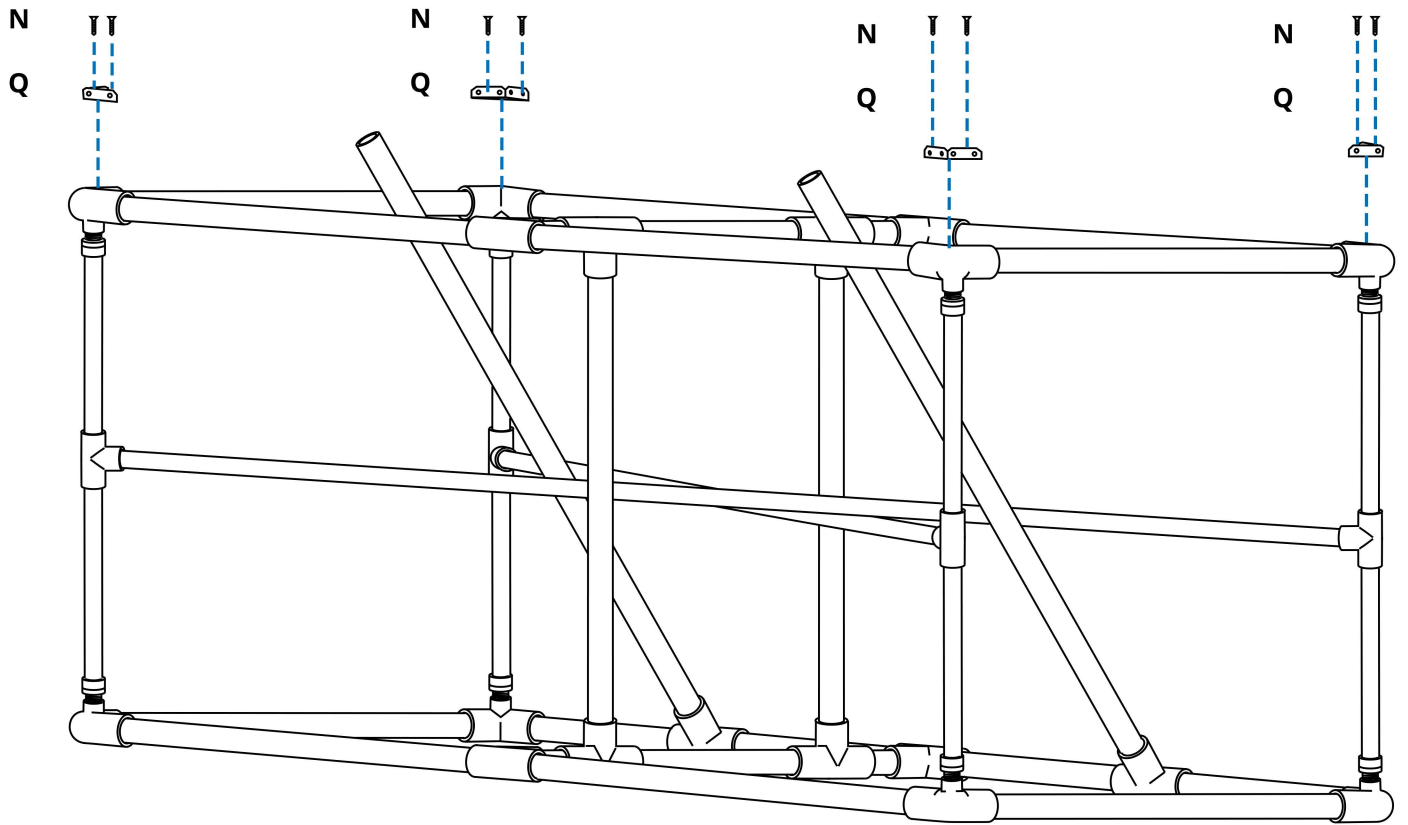


9.

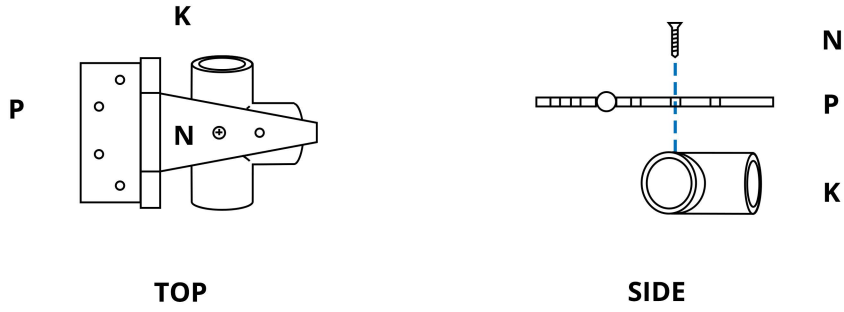




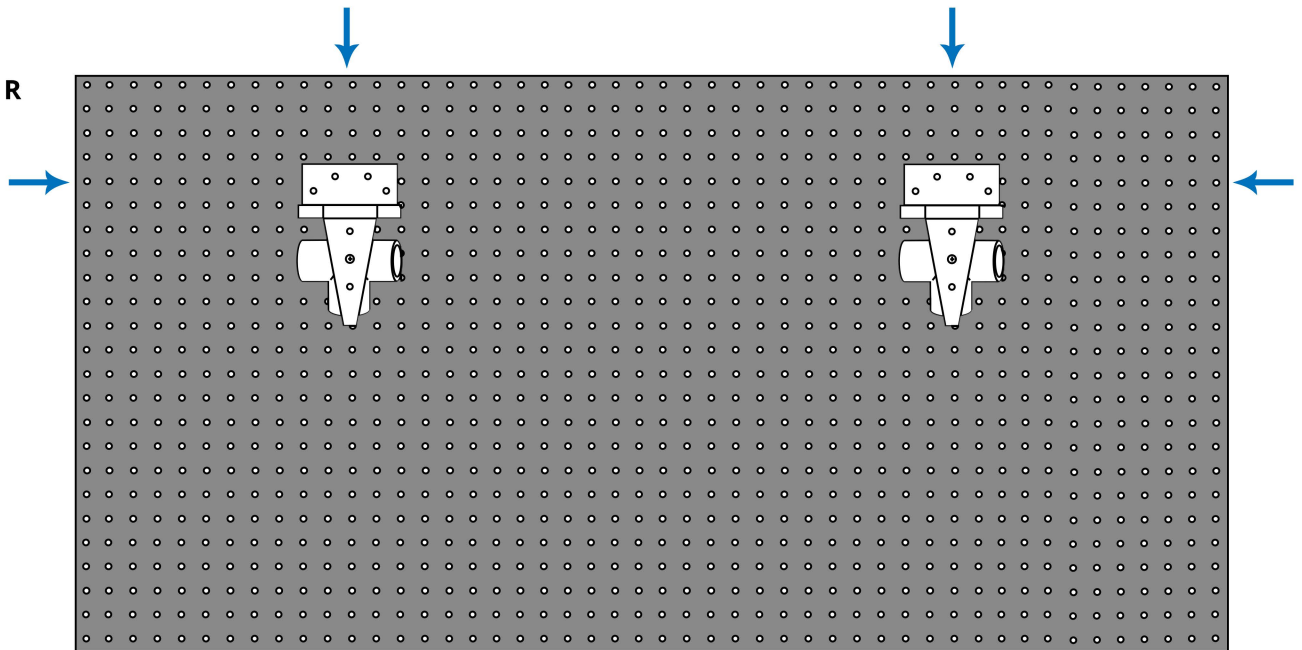
10.



11a.

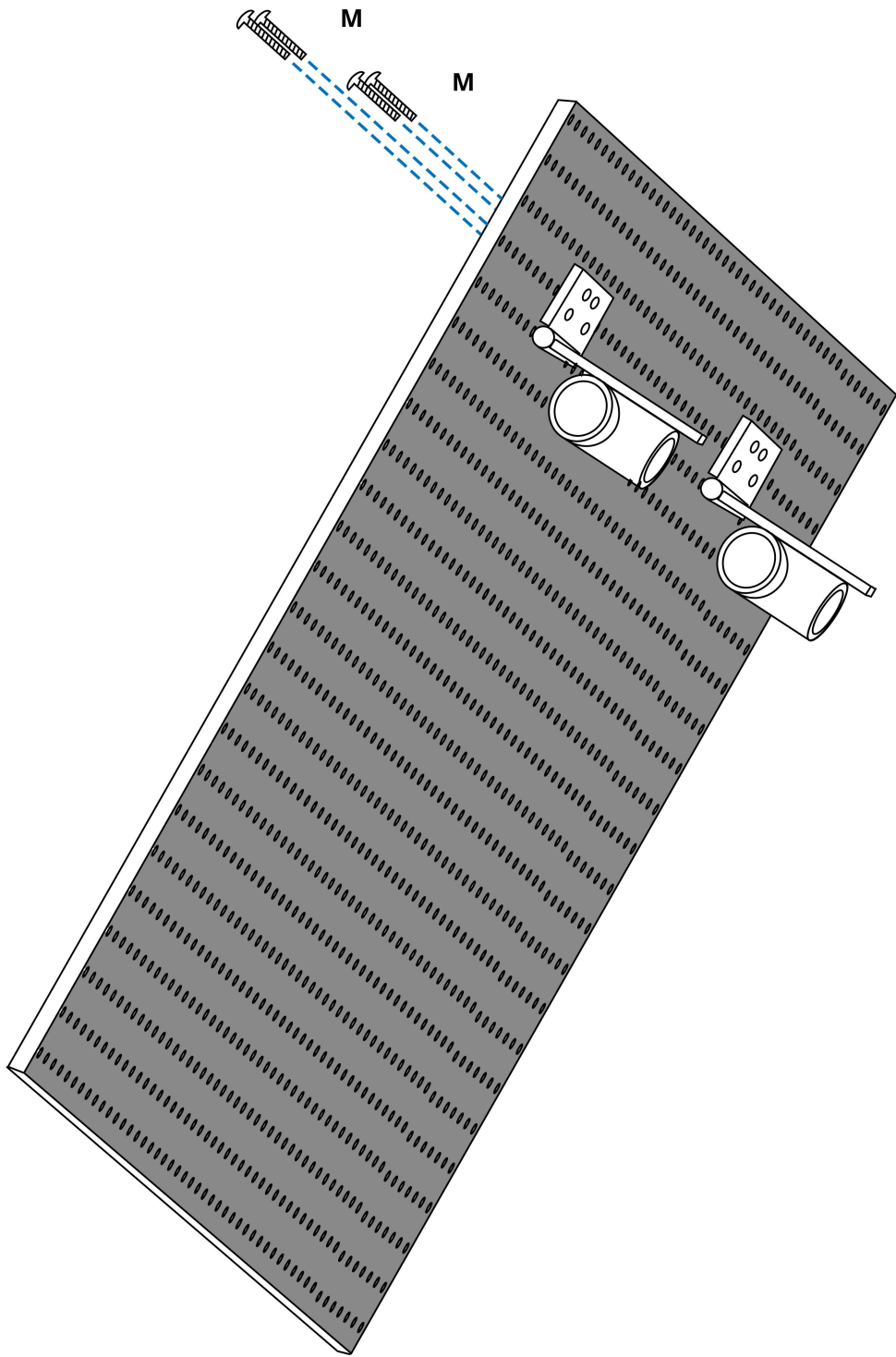


11b.

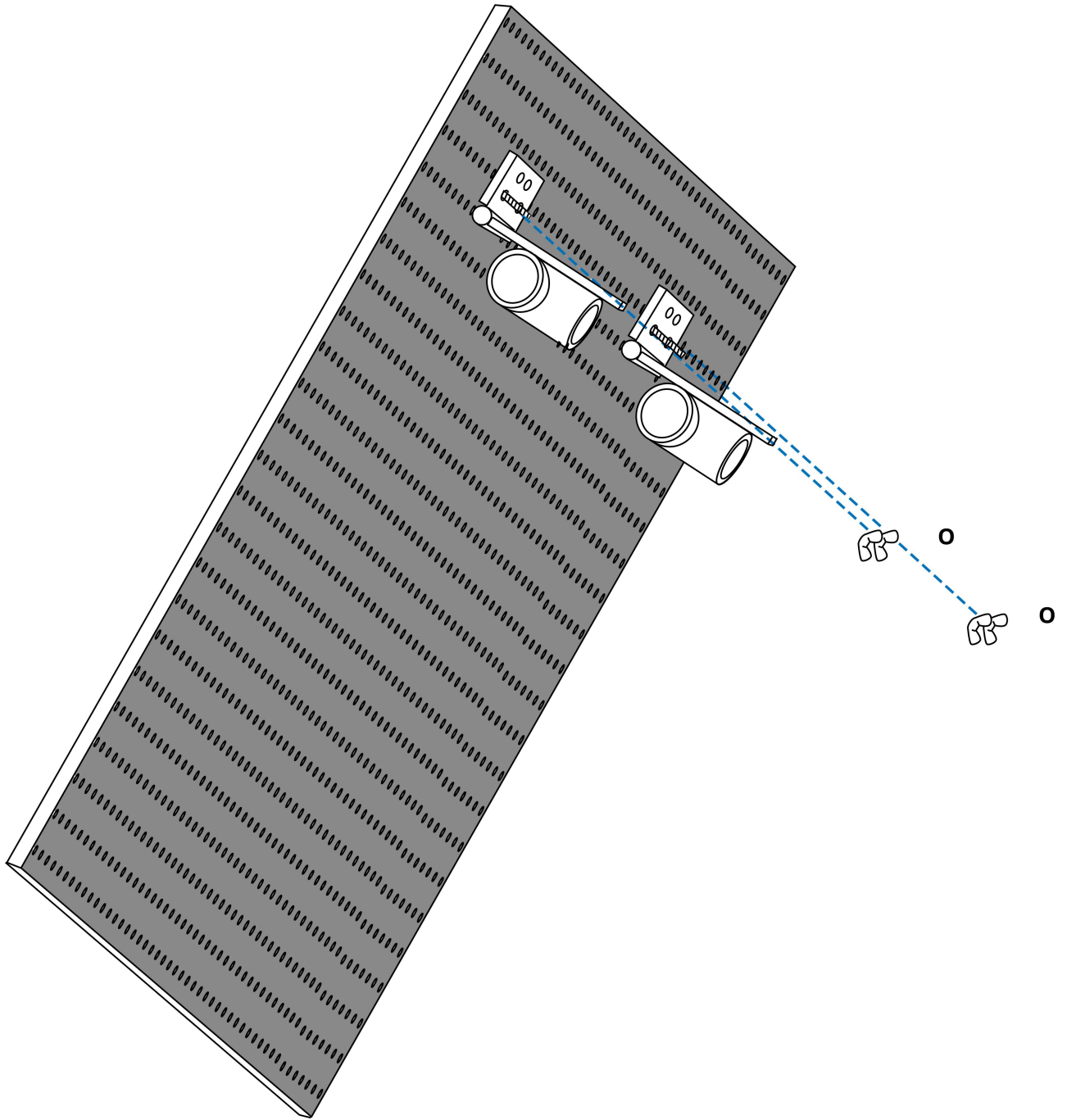


**ON THE BACK OF 1 PEGBOARD, ALIGN BASE PLATE OF HINGE 4" FROM TOP AND 12" IN FROM EACH SIDE AND MARK 2 HOLES TO DRILL FOR ATTACHING HINGES TO PEGBOARD.**

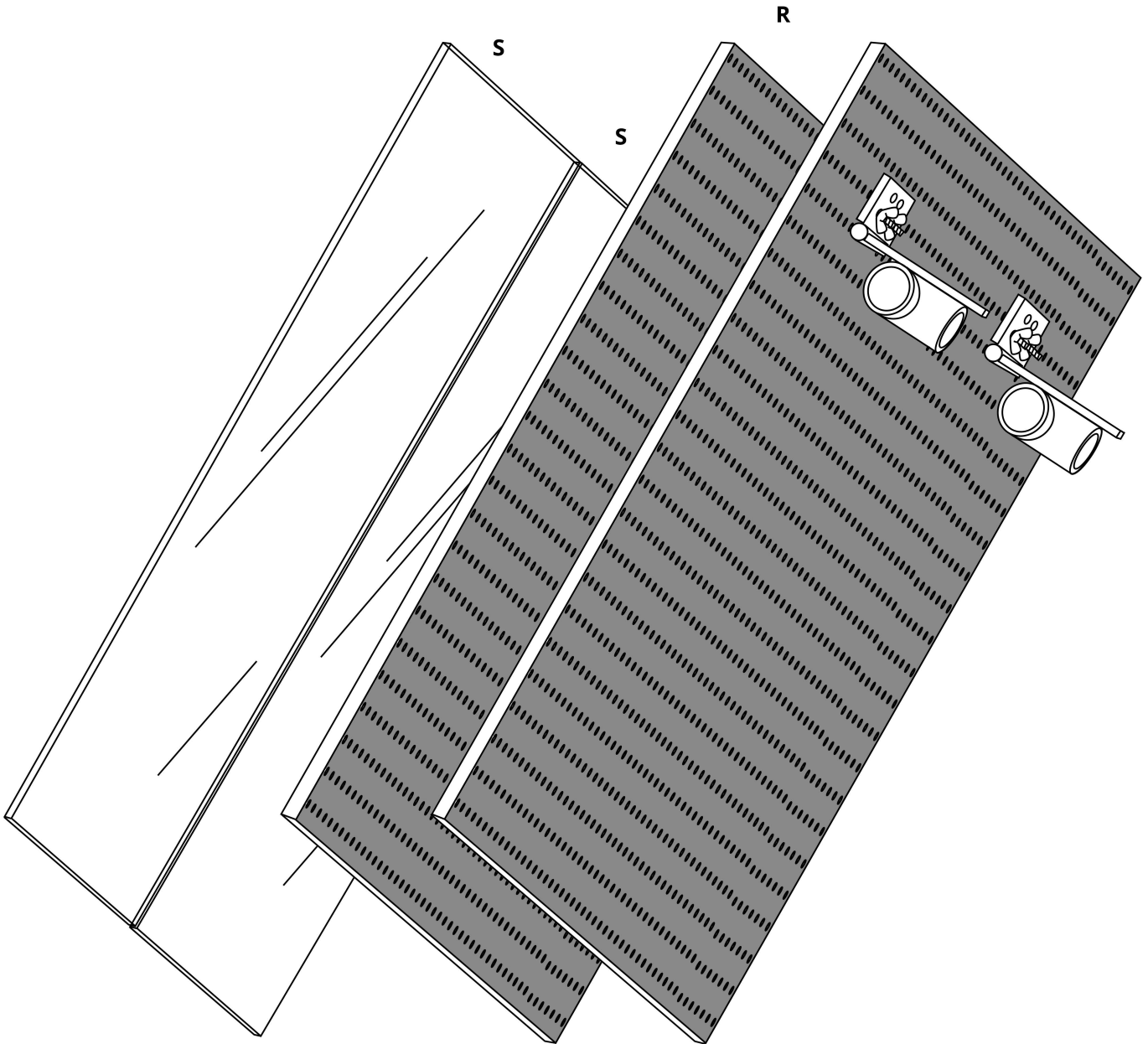
11c.



11d.



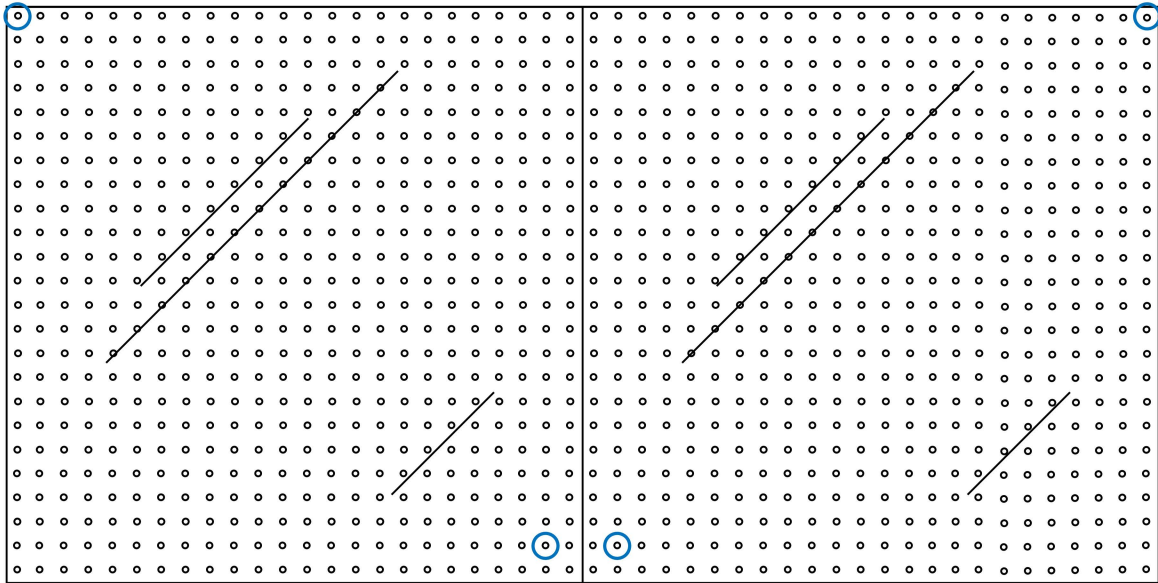
12a.



**STACK THE BOARDS AND PLEXI ON TOP OF EACH OTHER IN THE ORDER SHOWN ABOVE.**

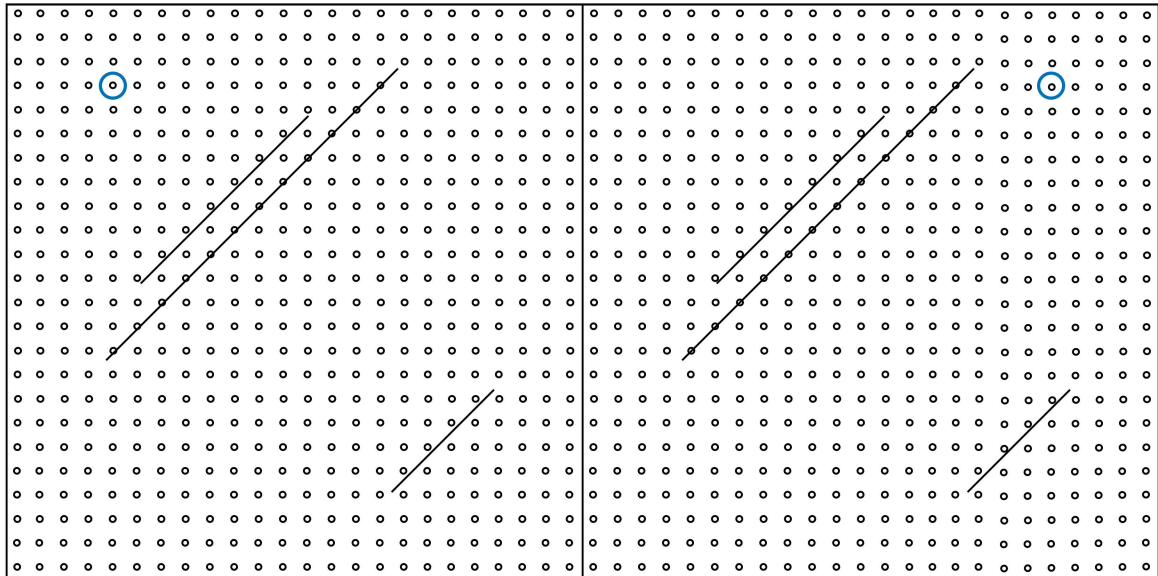
**NOTE: FABRIC OR PAPER CAN BE USED BETWEEN PLEXI AND PEGBOARD TO OBSCURE PEG HOLES OR TO INCREASE PROJECTOR LIGHT REFLECTION. I USED A SILVER FABRIC, SIMILAR IN SHEEN TO THE SILVER CONDUCTIVE FABRIC PATCHES (PART T). FOR THIS DIAGRAM, I HAVE LEFT THIS OUT AS THE SPECIFIC MATERIAL CAN BE INTERCHANGEABLE TO FIT A VARIETY OF NEEDS/CONDITIONS.**

12b.



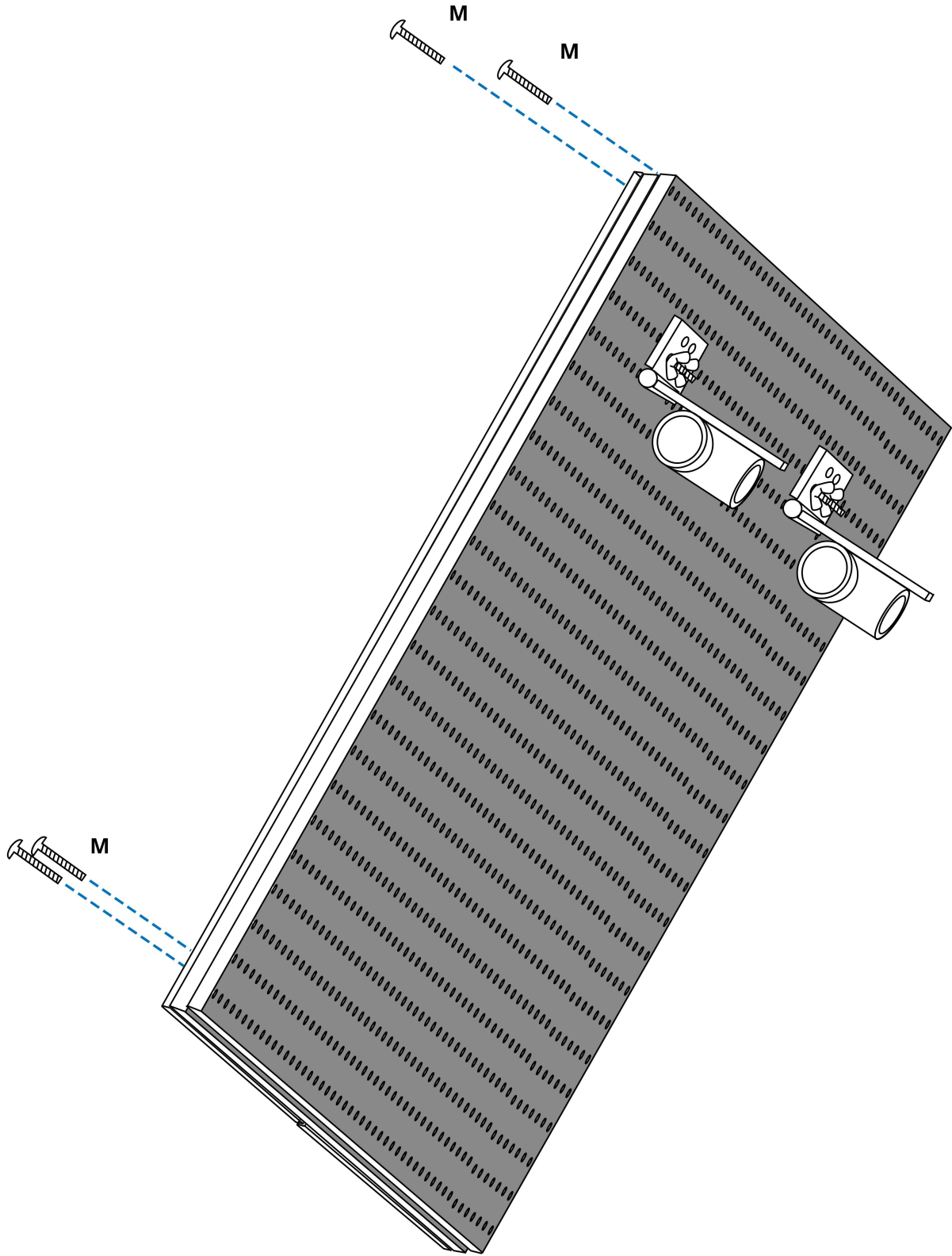
**DRILL HOLES FOR BOLTS THROUGH THE PLEXI IN THESE LOCATIONS. USE EXISTING HOLES IN PEGBOARD AS A TEMPLATE.**

12c.

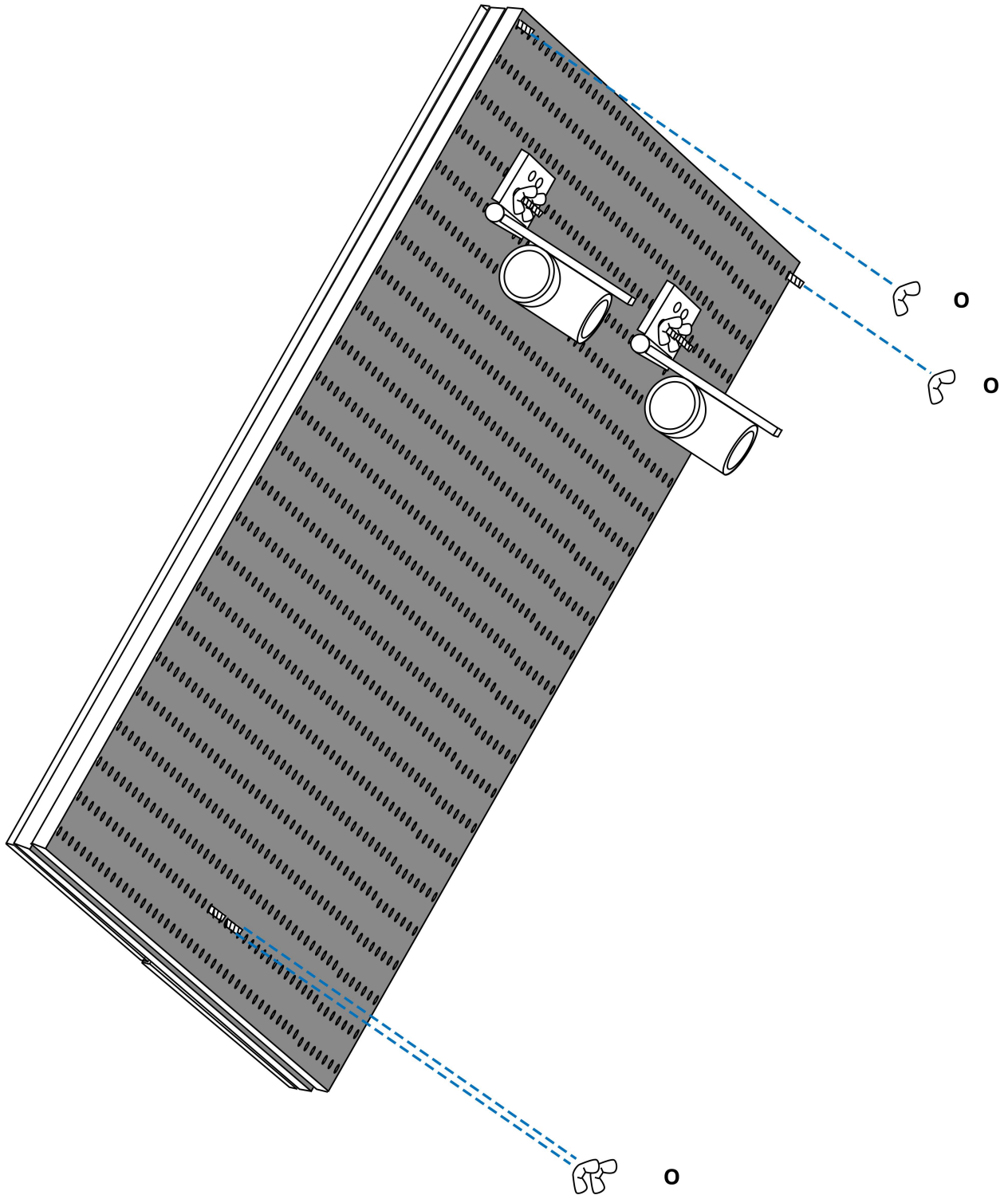


**IN ADDITION, DRILL 2 SMALLER HOLES IN THESE LOCATIONS FOR THREADING WIRE TO THE CONDUCTIVE FABRIC.**

12d.

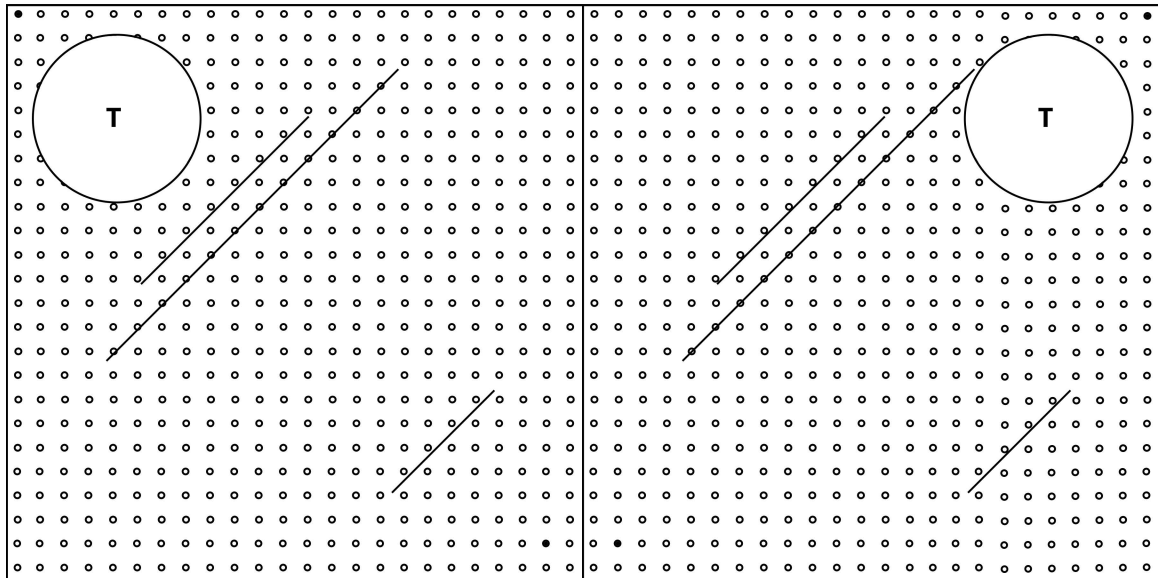


12e.



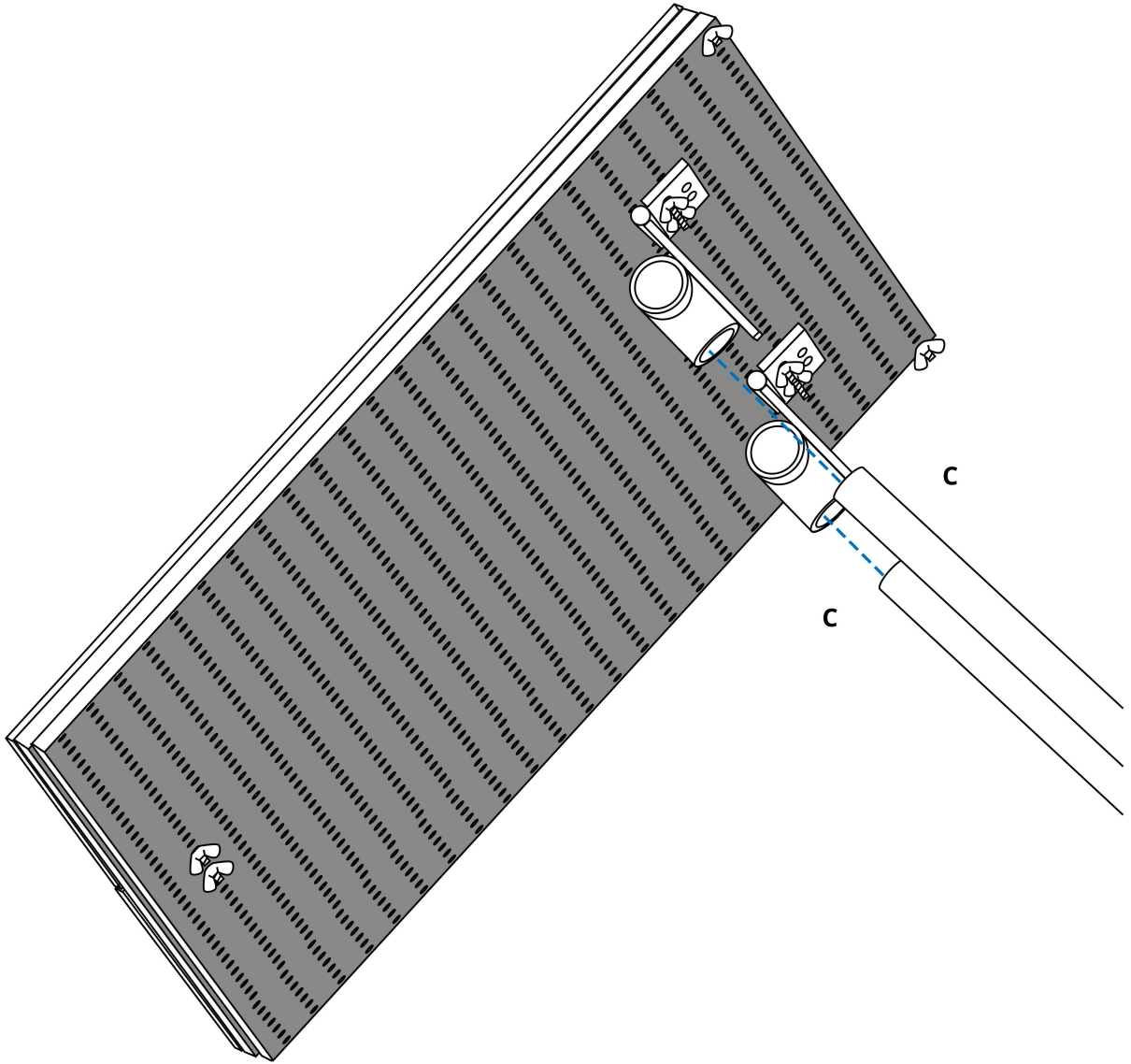


13.

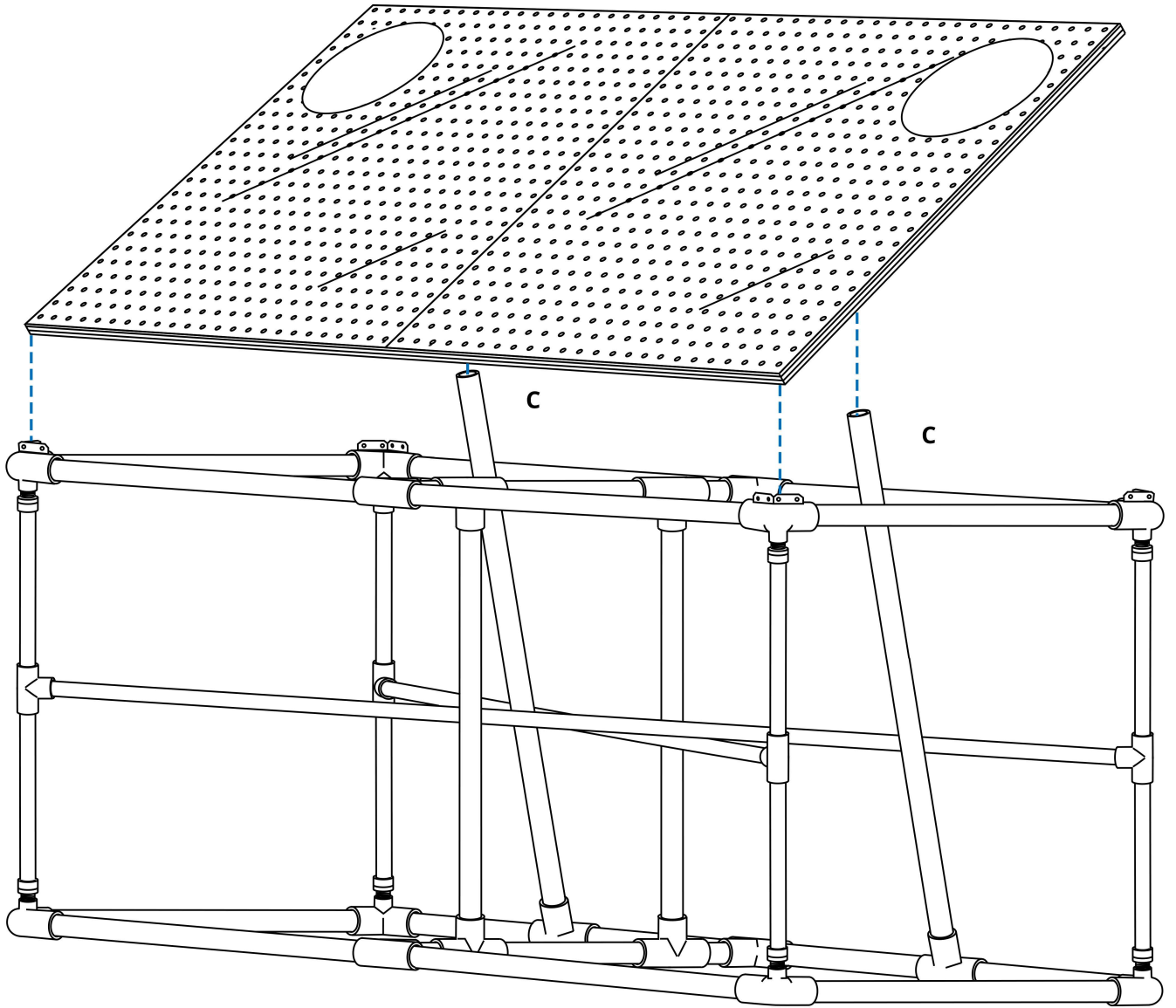


**ATTACH CONDUCTIVE FABRIC WITH DOUBLE-STICK TAPE, OR ANOTHER REMOVABLE ADHESIVE, TO THE SURFACE OF THE PLEXI COVERING THE SMALL DRILL HOLES. EACH CIRCLE OF FABRIC SHOULD BE PLACED ABOUT 1 1/2" FROM THE TOP AND ABOUT 1 1/2" IN FROM EACH SIDE.**

14.



15.



16.

